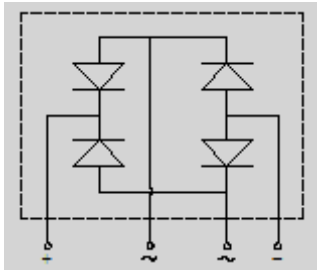
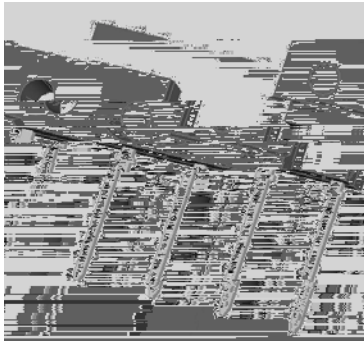


Bridge Rectifiers



Features

- UL recognition, file #E230084
- Glass passivated chip junction
- Thin single in-line package
- High surge current capability
- Solder dip 275 °C max. 7 s, per JESD 22-B106

Typical Applications

General purpose use in AC/DC bridge full wave rectification for switching power supply, home appliances, office equipment, industrial automation applications.

Mechanical Data

Package: JB

Molding compound meets UL 94 V-0 flammability rating, RoHS-compliant, Halogen free

Terminals: Tin plated leads, solderable per J-STD-002 and JESD22-B102

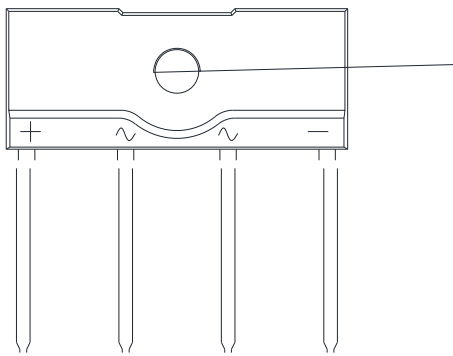
Polarity: As marked on body

Maximum Ratings ($T_a=25$ Unless otherwise specified)

PARAMETER	SYMBOL	UNIT	D4JB05	D4JB10	D4JB20	D4JB40	D4JB60	D4JB80	D4JB100
Device marking code			D4JB05	D4JB10	D4JB20	D4JB40	D4JB60	D4JB80	D4JB100
Maximum Repetitive Peak Reverse Voltage	VRRM	V	50	100	200	400	600	800	1000
Maximum RMS Voltage	VRMS	V	35	70	140	280	420	560	700
Maximum DC blocking Voltage	VDC	V	50	100	200	400	600	800	1000
Average Rectified Output Current @60Hz sine wave, R-load,	With heatsink $T_c=122$	IO	A	4.0					
	Without heatsink $T_a=25$			2.3					
Forward Surge Current (Non-repetitive) @60Hz Half-sine wave, 1 cycle, $T_j=25$	IFSM	A	135						
Forward Surge Current (Non-repetitive) @1ms, square wave, 1 cycle, $T_j=25$			270						
Current squared time @1ms t 8.3ms $T_j=25$, rating of per diode	I^2t	A ² S	75.6						
Storage temperature	Tstg		-55 ~ +150						
Junction temperature	Tj		-55 ~ +150						
Dielectric strength @ Terminals to case, AC 1 minute	Vdis	KV	2						
Mounting torque @Recommend torque 5kg cm	Tor	kg cm	8						



Outline Dimensions



Dim	JB	
	Min	Max
A	24.7	25.3
B	11.4	12.0
C	10.0	10.6
D	0.9	1.1
E	1.75(MAX)	
F	7.3	7.7
G	3.9	4.5
H	2.9	3.9
I	3.1	3.4
J	5.4	6.0
K	2.0	2.6
L	0.4	0.6
M	2.1	2.3
N	14.6	15.2



D4JB05 THRU D4JB100

Disclaimer

The information presented in this document is for reference only. Yangzhou Yangjie Electronic Technology Co., Ltd. reserves the right to make changes without notice for the specification of the products displayed herein to improve reliability, function or design or otherwise.

The product listed herein caM c